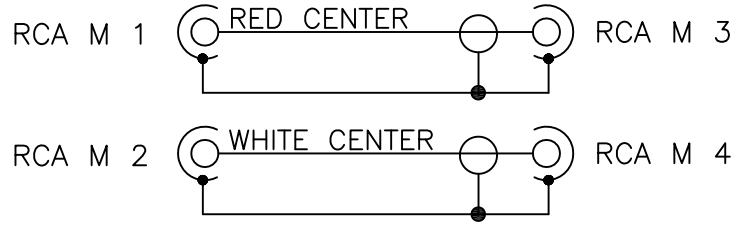
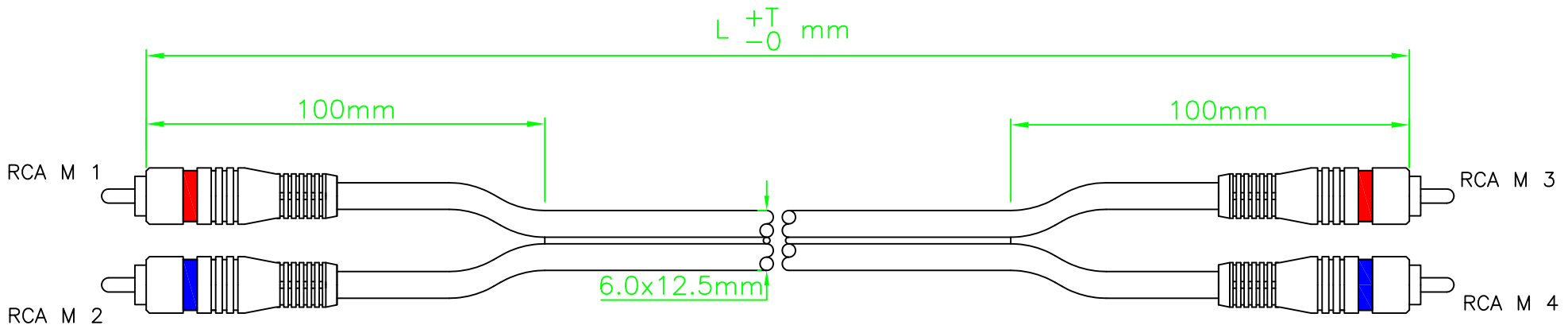


REV	DESCRIPTION	DATE
0	ISSUE	03/06/05



RCA Black Molding  
Black Cable  
Colored Silicone Rings

Bulk Cable:  
Oxygen free copper conductors  
EU RoHS 2002/95/EC Compliant

Z200A6	6000	45
Z200A4	4000	45
Z200A3	3000	30
Z200A2	2000	30
Z200A1.5	1500	25
Z200A1	1000	15
Z200A.5	500	15
P/N.	L(mm)	T(mm)

LIBERTY AV SOLUTIONS		WWW.LIBAV.COM
11675 RIDGELINE DRIVE		(800) 530-8998
COLORADO SPRINGS, CO 80921		
UNIT:mm	TITLE: Assembly Specification CBL, ASY, AUD, Z200	
SCALE	None	
UNLESS OTHERWISE SPECIFIED TOLERANCES: x ±.015 xx ±.010 xxx ±.005 ANGLE ± 1°	PART NUMBER: Z200AXX	DR. RP
		CH. RP
SHEET 1/1	DWG. #: LWC-ASY-00714	AP. RP